

## MOTIONLESS FREE ENERGY

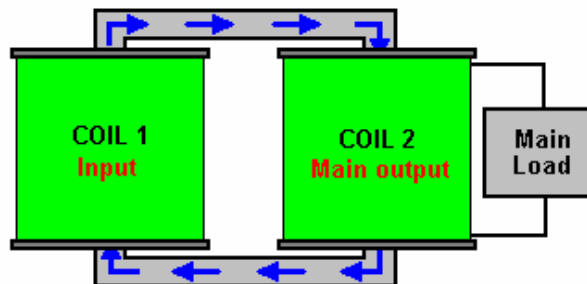
“THERE IS NO SUCH THING AS A FREE MEAL” IS A FAMOUS PHRASE. IT COMES FROM TWO TYPES OF PEOPLE : 1. BARE FACED LIARS OR 2. REALLY, REALLY IGNORANT PEOPLE. IT IS AS CORRECT AS STATING “WATER IS NOT WET” AND IT IS PART OF A CAMPAIGN WHICH HAS BEEN WAGED AGAINST US FOR MORE THAN 100 YEARS NOW. ONE OF THE MAIN DEVICES INTENDED TO FOOL US IS THIS :



THIS IS A TYPICAL TRANSFORMER AS USED IN MAINS POWER SUPPLIES, AMPLIFIERS, TELEVISIONS, ETC. AND IT REALLY IS INTENDED TO FOOL YOU INTO DISREGARDING OBVIOUS SOURCES OF FREE ENERGY SUCH AS SUNLIGHT, RAIN, WIND, GRAVITY . . . .

THE CUNNING PART OF A STANDARD TRANSFORMER IS THAT IT IS SYMMETRICAL AND SO IT IS FORCED TO OPPOSE ITSELF WHEN YOU TRY TO USE IT. BECAUSE IT OPPOSES ITSELF, AND ONLY *BECAUSE* IT OPPOSES ITSELF, IT CAN NEVER BE MORE THAN 100% EFFICIENT. WE ARE SURROUNDED BY IGNORANT PEOPLE AND LIARS, BOTH OF WHOM ASSURE US THAT MORE THAN 100% EFFICIENCY IS “IMPOSSIBLE”. THAT IS RIDICULOUS. IT IS TRUE FOR SYMMETRICAL TRANSFORMERS BUT ONLY FOR SYMMETRICAL TRANSFORMERS.

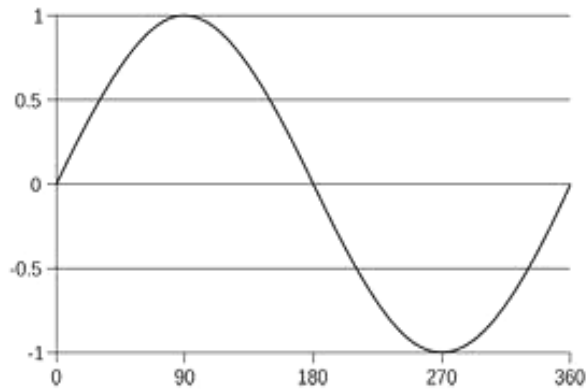
LET’S EXAMINE THE FACTS. THIS IS HOW A SYMMETRICAL TRANSFORMER WORKS :



WHEN AN ELECTRICAL PULSE OF INPUT POWER IS APPLIED TO COIL 1, IT CREATES A MAGNETIC WAVE, SHOWN BY THE BLUE ARROWS. THAT MAGNETIC WAVE FLOWS AROUND THE MAGNETIC FRAME OR “YOKE” AS IT IS CALLED.

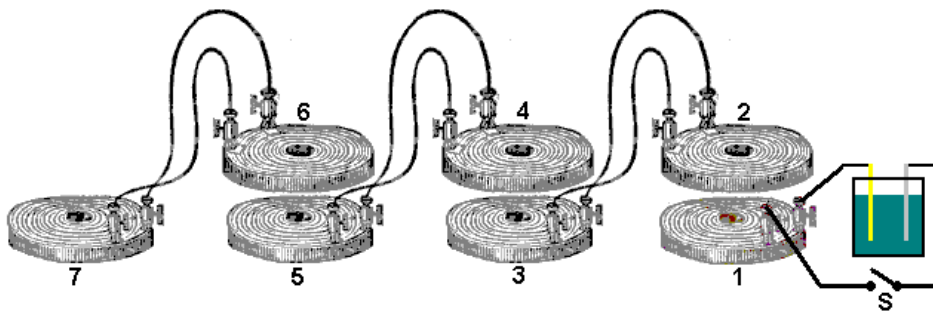
THAT MAGNETIC WAVE PASSES THROUGH THE CENTRE OF COIL 2 AND GENERATES A VOLTAGE IN COIL 2 WHICH IT PASSES ACROSS TO THE MAIN LOAD, PROVIDING IT WITH POWER.

UNFORTUNATELY, THIS ONLY HAPPENS WHEN THE VOLTAGE APPLIED TO COIL 1 IS CHANGING, AND SO, A TRANSFORMER IS FED “ALTERNATING CURRENT” WHICH CHANGES CONTINUOUSLY LIKE THIS:



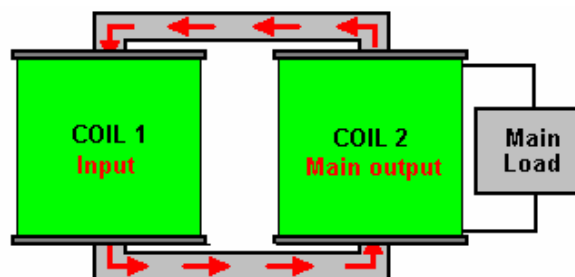
THIS IS A SINE WAVE AND FOR HALF OF THE TIME IT IS POSITIVE AND HALF OF THE TIME IT IS NEGATIVE. TRANSFORMERS ARE USED WITH THIS SORT OF CONTINUOUSLY CHANGING VOLTAGE.

IN HIS 1842 BOOK "MANUAL OF MAGNETISM" (<http://www.free-energy-info.com/Davis.pdf>) DANIEL DAVIS POINTS OUT THAT WHEN CURRENT FLOWING THROUGH A COIL IS CUT OFF, IT PRODUCES A BACK-EMF VOLTAGE PULSE WHICH CAN BE CASCADED THROUGH SEVERAL COILS, EACH COIL HAVING THE REVERSE DIRECTION CURRENT FLOW THROUGH IT COMPARED TO IT'S NEIGHBOURS :



THIS REVERSE PULSE FROM ANY COIL WHICH HAS CURRENT CUT OFF IS VERY IMPORTANT AND WHILE WE CAN USE IT VERY USEFULLY IN PULSE-CHARGING BATTERY CIRCUITS SUCH AS THOSE FROM 'Alexkor' OF RUSSIA, IT IS A MAJOR PROBLEM FOR A TRANSFORMER.

IN A TRANSFORMER, THAT MAGNETIC BACK-EMF PULSE RUNS BACK THROUGH THE TRANSFORMER FRAME AND OPPOSES THE OPERATION OF COIL 1, REQUIRING THE INPUT POWER TO HAVE TO BE BOOSTED TO OVERCOME IT. THAT BACK-EMF MAGNETIC FLOW IS SHOWN BY THE RED ARROWS IN THIS DIAGRAM :



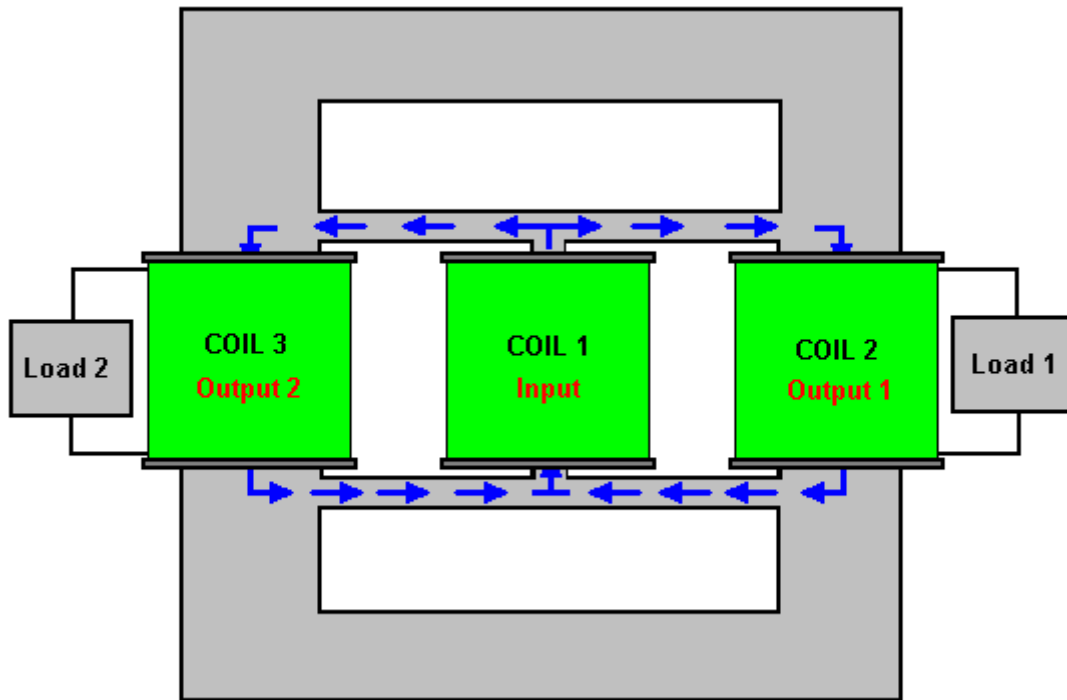
THE LARGER THE CURRENT DRAWN FROM COIL 2 TO POWER THE LOAD, THE LARGER THE INPUT POWER TO COIL 1 HAS TO BE. THAT IS STUPID TRANSFORMER DESIGN.

LIKE THE FLOW OF ELECTRICITY, MAGNETIC FLOW PASSES ALONG EVERY POSSIBLE FLOW PATH AVAILABLE. THE AMOUNT OF MAGNETIC FLOW ALONG ANY PATH DEPENDS ON THE MAGNETIC RESISTANCE OF THAT PATH, SO IF THE PATH HAS A LARGE CROSS-SECTIONAL AREA AND THE MATERIAL IS SUITABLE, THEN MAJOR MAGNETIC CURRENT WILL FLOW THROUGH IT.

THANE HEINS HAS MADE A HOME-BUILT ASYMMETRICAL TRANSFORMER AND SHOWN THAT IT HAS A POWER OUTPUT WHICH IS 39 TIMES GREATER THAN ITS INPUT POWER.

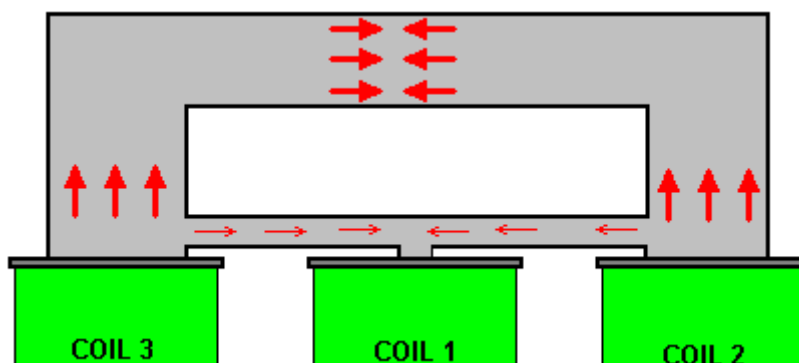
THINK ABOUT THAT CAREFULLY. YOU HAVE A UNIVERSITY PROFESSOR TELLING YOU THAT A TRANSFORMER HAS TO HAVE AN EFFICIENCY LESS THAN 100%, AND THEN YOU HAVE THANE HEINS DEMONSTRATING THIS TRANSFORMER PUTTING OUT 39 TIMES MORE POWER THAN IT IS SUPPLIED WITH. WHAT DOES THAT TELL YOU ABOUT WHAT THE UNIVERSITY PROFESSOR SAYS? OUR GOOD PROFESSOR IS EITHER VERY IGNORANT OR HE IS TELLING DELIBERATE LIES.

ANYWAY, LET'S EXAMINE THE TRANSFORMER OF THANE HEINS :



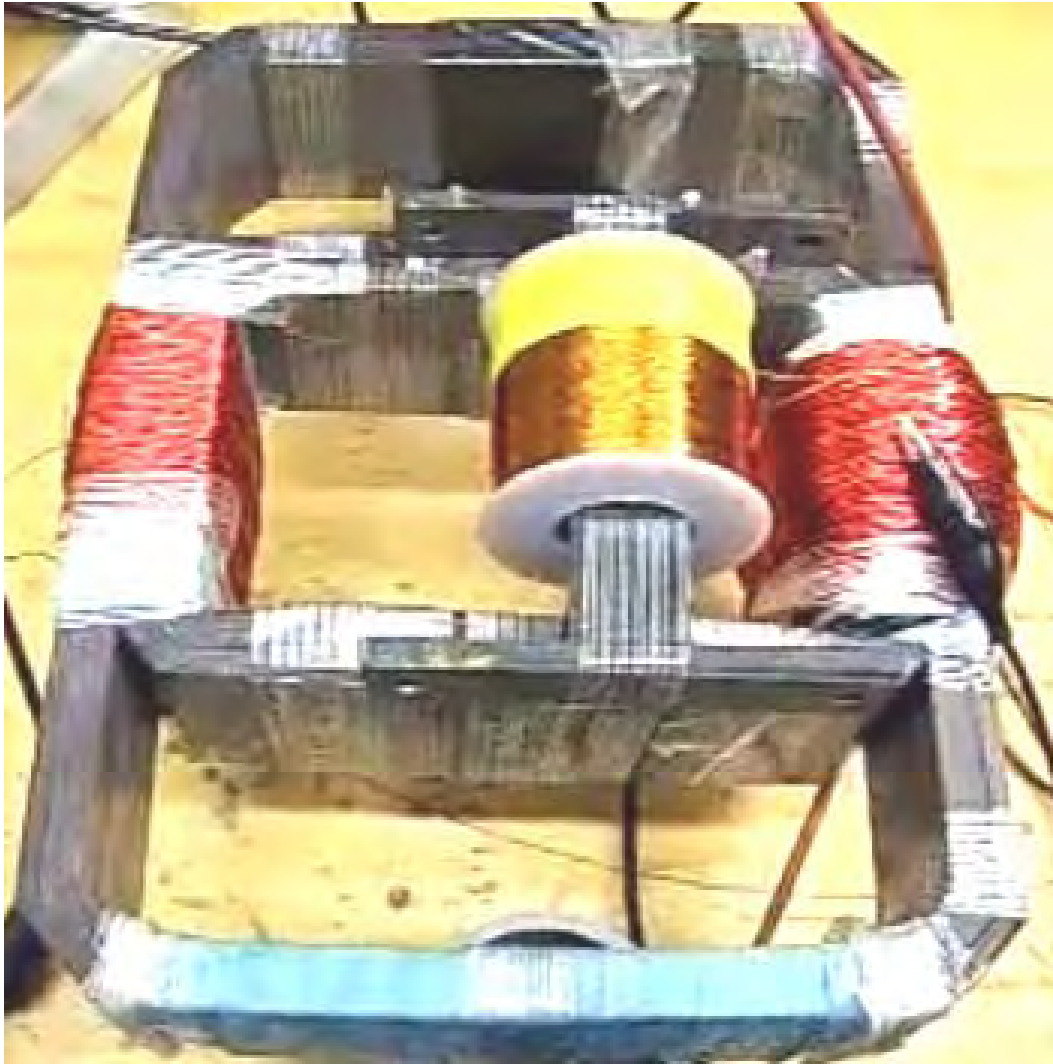
IT DOESN'T LOOK ALL THAT MUCH DIFFERENT. WE HAVE COILS 1 AND 2 AS BEFORE, BUT NOW WE HAVE AN ADDITIONAL OUTPUT COIL 3 AND A SECOND LOAD DRAWING CURRENT. AS BEFORE, A POWER PULSE INTO COIL 1 CAUSES MAGNETIC FLOW THROUGH COILS 2 AND 3 - VERY STRAIGHTFORWARD.

BUT, THE BIG DIFFERENCE COMES WITH THE BACK-EMF PULSE WHICH USED TO OPPOSE THE INPUT TO COIL 1. THAT MAGNETIC FLOW IS SHOWN BY THE RED ARROWS IN THIS DIAGRAM :



THE REVERSE MAGNETIC FLUX COMING OUT OF COIL 2 IMMEDIATELY ENCOUNTERS A JUNCTION IN THE FRAME. ONE PATH IS LOW RESISTANCE TO MAGNETIC FLOW AND THE OTHER PATH HAS A HIGHER MAGNETIC FLOW RESISTANCE. CONSEQUENTLY MOST OF THE UNWANTED MAGNETIC FLOW GOES ALONG THE OUTER, LOW-RESISTANCE PATH AND FAR LESS THAN USUAL GOES BACK TO COIL 1. THE RESULT IS SPECTACULAR.

HERE IS THANE'S HOME-BUILT TRANSFORMER :

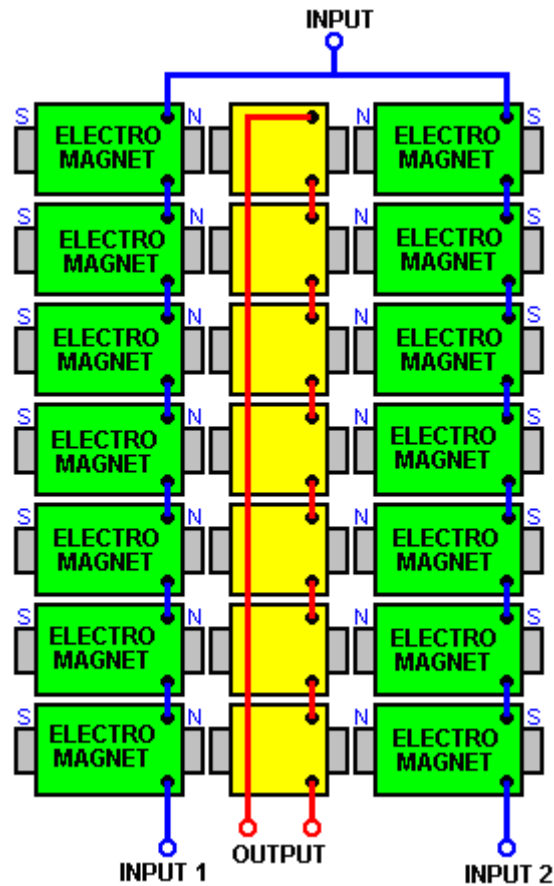


THE COIL 1 RESISTANCE IS 2.5 OHMS AND CARRIES 0,29 WATTS OF POWER. THE COIL 2 RESISTANCE IS 2.9 OHMS RECEIVING 0.18 WATTS OF POWER. RESISTIVE LOAD 1 HAS 180 OHMS, RECEIVING 11.25 WATTS OF POWER. COIL 3 HAS 2.5 OHMS AND RECEIVES 0.06 WATTS OF POWER. RESISTIVE LOAD 2 IS 1 OHM, RECEIVING 0.02 WATTS OF POWER.

OVERALL, THE INPUT POWER IS 0.29 WATTS AND THE OUTPUT POWER IS 11.51 WATTS, AND THAT IS A Coefficient Of Performance = 39.6 IN SPITE OF THE SIMPLE TRANSFORMER CONSTRUCTION.

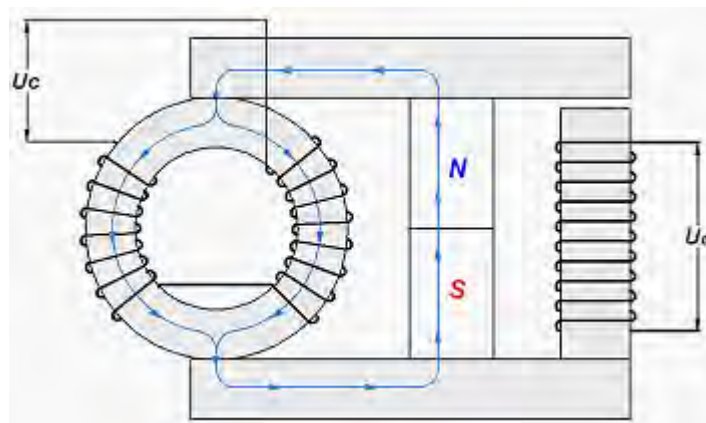
THAT IS AT VERY LOW POWER LEVELS. RAISING THE POWER LEVEL SOMEWHAT CAUSES A DROP IN THE PERFORMANCE, PRESUMABLY DUE TO THE TRANSFORMER FRAME NEEDING TO BE BIGGER. WITH AN INPUT POWER OF 106.9 MILLIWATTS IT PRODUCES AN OUTPUT POWER OF 403.3 MILLIWATTS WHICH IS 3.77 TIMES GREATER.

THE METHOD USED BY THANE HEINS IS NOT THE ONLY WAY TO AVOID THE BACK-EMF FEEDBACK OPPOSING THE INPUT POWER. AN EXCELLENT WAY WAS PRODUCED BY CLEMENTE FIGUERA WHO SPLIT THE TRANSFORMER INTO TWO PARTS, AND HIS TECHNIQUE HAS RECENTLY BEEN CONFIRMED BY A BENCH TEST, WHICH SHOWED THAT THE COUTPUT CURRENT HAS NO EFFECT AT ALL ON THE INPUT CURRENT. CLEMENTE'S ARRANGEMENT IS SHOWN HERE :

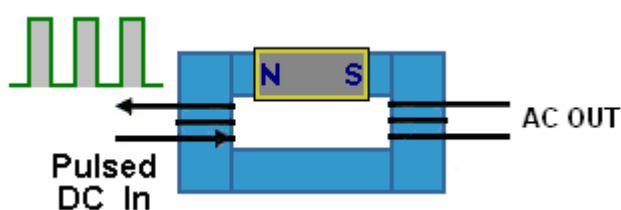


EACH EXTRA SET OF GREEN/YELLOW/GREEN ELECTROMAGNETS RAISES THE OUTPUT VOLTAGE AND CLEMENTE RAN HIS HOUSE ON THAT ARRANGEMENT, GETTING 500 VOLTS AS THE BASIC OUTPUT VOLTAGE.

ALSO, VALERI IVANOV OF BULGARIA HAS A DESIGN FOR A TRANSFORMER WHICH HAS A COP=2.4 ALTHOUGH HE USES A MAGNET :

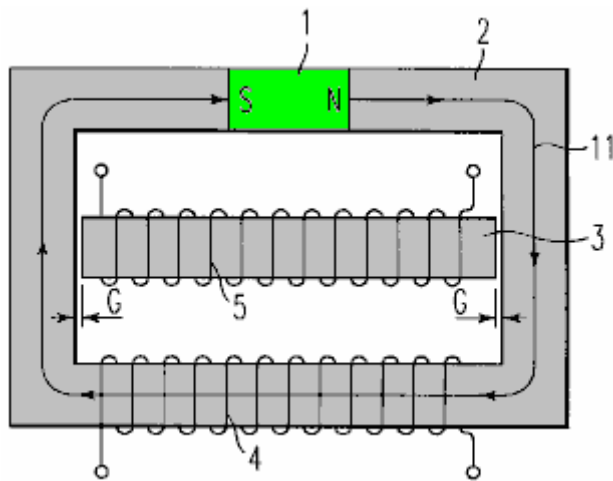


ALSO, USING A MAGNET IN JUST A SINGLE FRAME, IS LAWRENCE TSEUNG, WITH COP=1.5 OR MORE :



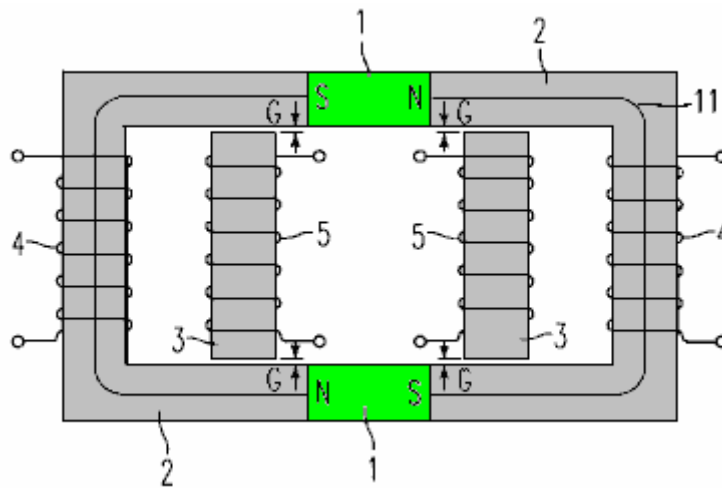
Permanent Magnet  
Enhances Magnetic  
Flux: COP > 1

KELICHIRO ASAOKA HAS A 1999 PATENT ON SEVERAL INVENTIVE TRANSFORMER DESIGNS :

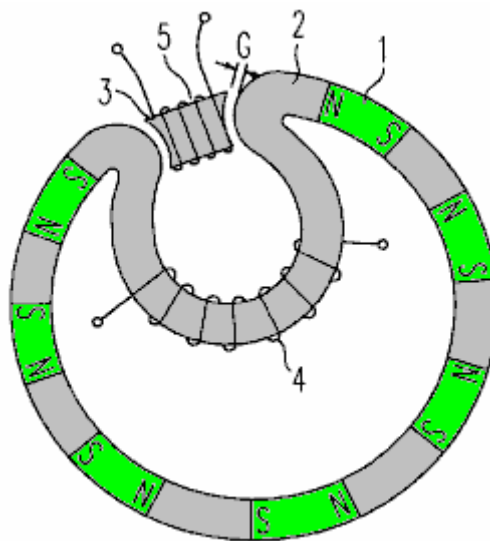


AGAIN, USING A MAGNET AND THIS TIME WITH TWO AIR GAPS IN THE PATH TO THE SECONDARY COIL "5", THIS IS AN EFFECTIVE DESIGN.

ALSO, WITH TWO MAGNETS (TWO YEARS BEFORE THE MEG DESIGN) :



OR THIS UNUSUAL DESIGN :



CERTAINLY, MAKING SYMMETRICAL TRANSFORMERS IS DEFINITELY NOT NECESSARY.

Video : [https://youtu.be/Z\\_-3Nz1ZuSI](https://youtu.be/Z_-3Nz1ZuSI)